

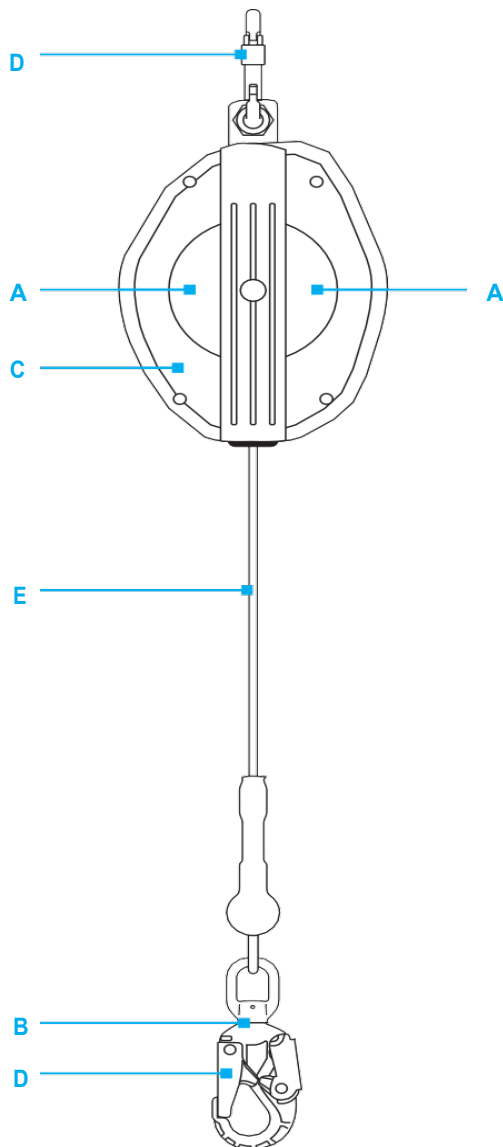
SRL INSPECTION DOCUMENT

model number

serial number

date of manufacturing

date of first service



Specifications are subject to change without notice. Images are for illustrative purposes only.

LABELS

First look for product information, including but not limited to, date of manufacturing, standards, size, and serial number.

A		Pass	Fail
■ Present			
■ Legibility			

HARDWARE

FALL INDICATOR

B Check to see if the red band on the snap hook is visible.

B		Pass	Fail
■ Red band			

HOUSING

C		Pass	Fail
■ Cuts/Cracks/Punctures			
■ High abrasion/wear			
■ Evidence of modification			
■ Chemical and heat damage			

ANCHORAGE CONNECTORS

D		Pass	Fail
■ Present			
■ Abrasion			
■ Evidence of modification/deformation			

WIRE ROPE

Run the wire rope through your hands to conduct a tactile examination on all sides of the wire rope.

E		Pass	Fail
■ High abrasion/wear			
■ Broken wire or strand			
■ Corrosion/rust			
■ Heat damage			
■ Kinking, crushing or bird caging			
■ Reduction of diameter			

LOCKING MECHANISM

-		Pass	Fail
■ Function			

- Result: Back in service
 Must be cleaned
 Return for repair
 Remove from service and destroy

inspected by

date

signature

This document was prepared by members of the Scaffold & Access Industry Association Fall Protection Council.

This document does not purport to be all-inclusive nor to supplant or replace other additional safety and precautionary measures to cover usual or unusual conditions. If this document conflicts in any way with a state, local, federal, or other government statute or regulation, said statute or regulation shall supersede this document and it shall be the responsibility of each user to comply therewith. This document has been developed as an aid to users of various types of scaffolding equipment. The Scaffold & Access Industry Association and their Council members are not responsible for the use of this document.